

Features

- Natural honed marble or limestone etched with Japanese kimono-inspired textural patterns
- Etched surface is highlighted with a subtle champagne-gold metallic finish
- Asymmetrical oval basin
- No faucet holes; requires wall- or counter-mount faucet
- Coordinates with optional K-95069 Kensho drain cover (sold separately)

Material

- Available in Biancone marble from Italy or Grey Foussana limestone from Tunisia
- Carved from natural stone, each sink is unique and shows distinctive variations in stone characteristics such as color, veining, and markings

Installation

- Vessel

Recommended Products/Accessories

- K-95069 Drain Cover
- K-23726 Drain treatment
- K-23723 Faucet cleaner



ADA

CSA B651

OBC

Codes/Standards


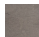
ADA
ICC/ANSI A117.1
CSA B651
OBC

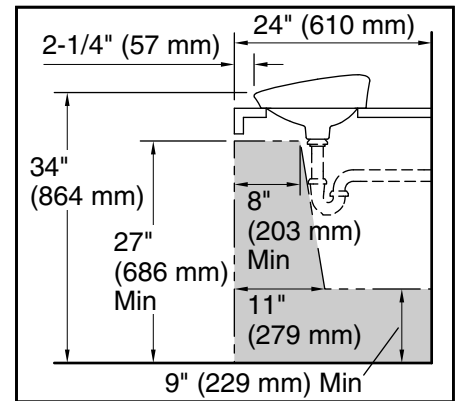
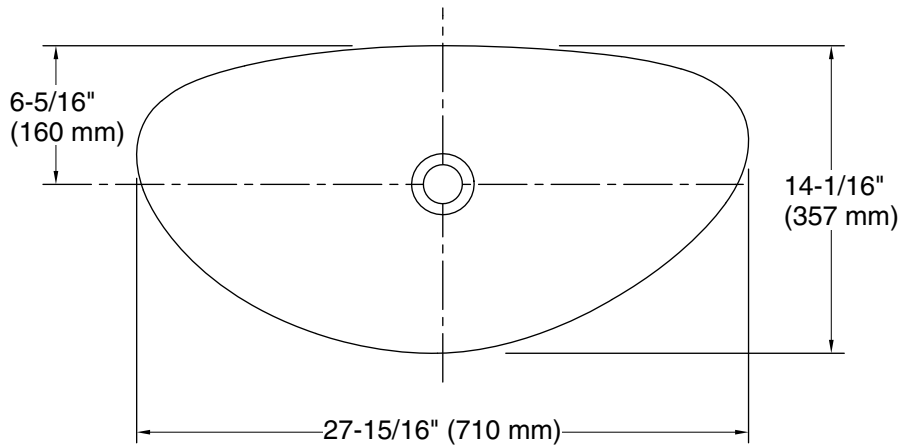
KOHLER® One-Year Limited Warranty

See website for detailed warranty information.

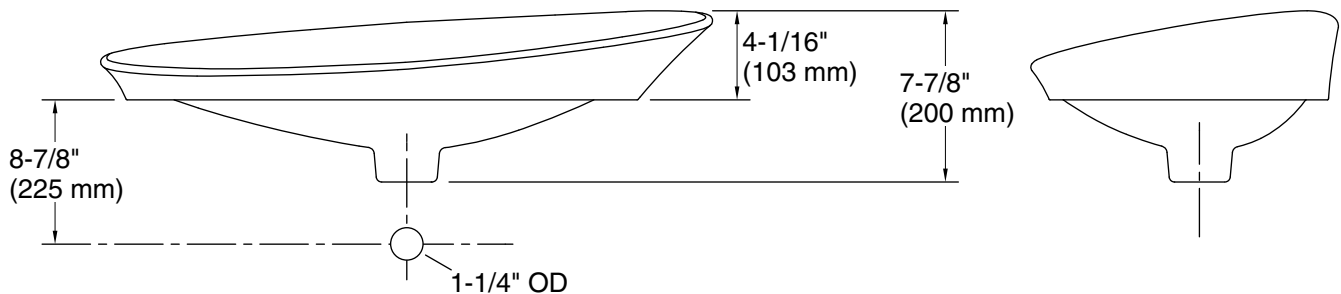
Available Colors/Finishes

Color tiles intended for reference only.

Color	Code	Description
	CS6	Biancone
	CS7	Grey Foussana



Recommended ADA Installation



Technical Information

All product dimensions are nominal.

Bowl area:	Length: 27-3/16" (690 mm)
	Width: 13-1/4" (337 mm)
	Bowl depth: 3-3/16" (81 mm)
	Water depth: 3-3/16" (81 mm)
With overflow:	No
Template:	Above-counter, 1329684-7, required, included

Notes

Install this product according to the installation instructions.

NOTICE: Countertop manufacturer or cutter must use the cut-out template provided with the product, or a current one provided by Kohler Co. (call 1-800-4-KOHLER). Kohler Co. is not responsible for cutout errors when the incorrect cut-out template is used.

Both the product and the drain to be installed using clear, 100% Silicone sealant.

The faucet should be installed such that the water stream does not directly impact the decorated surface.

If the faucet is deck-mounted on the center-line of the product we recommend a minimum of a 5" faucet reach to extend past the decorated portion of the surface.

ADA, OBC, CSA B651 compliant when installed to the specific requirements of these regulations.